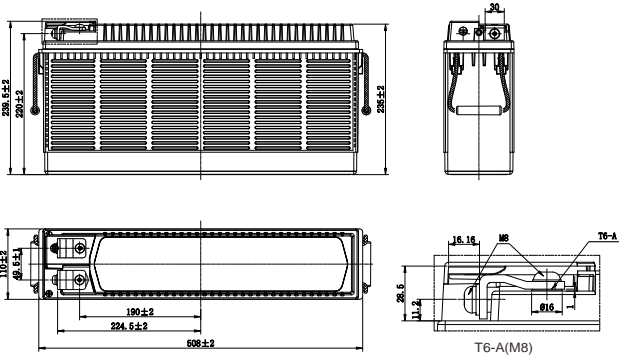
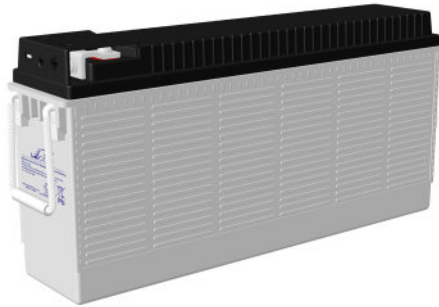


# LHR SERIES-HIGH RATE

## LHR12390FT (12V390W)



### CHARACTERISTICS

Item	Specifications	
Rated Voltage	12V	
Nominal Rate (25°C)	$W_{15}, 1.67V/cell$	390W/cell
Nominal Capacity (25°C)	$C_{10}, 1.80V/cell$	95Ah
Dimension	Length	508mm (20.0inches)
	Width	110mm (4.33inches)
	Container Height	235mm (9.25inches)
	Total Height	239.5mm (9.43inches)
Approx Weight	34kg (75.0lbs)	
Terminal	T6-A(M8)	
Container Material	ABS (UL94 HB or V-0 optional)	
Short-circuit current	1900A	
Internal Resistance (25°C)	Approx 4.2 mΩ (Fully charged)	
Operating Temp. Range	Discharge	-20~55°C (-4~131°F)
	Charge	-20~40°C (-4~104°F)
	Storage	-15~50°C (5~122°F)
Nominal Operating Temp. Range	25±3°C (77±5°F)	
Max.Charging Current (25°C)	0.25C	
Charge voltage (25°C)	Float Charge	Equalization Charge
	2.25-2.30V/cell	2.30-2.40V/cell
Temp. Coefficient	-3mV/cell/°C	-4mV/cell/°C
	40°C (104°F)	106%
Effect of temp. to Capacity	25°C (77°F)	100%
	0°C (32°F)	86%
	Self Discharge	≤ 3% per month at 25°C (77°F)

### DISCHARGE TABLE

Constant Current Discharge (Amperes) at 25°C (77°F)														
F.V/Time	5min	10min	15min	20min	30min	45min	1h	1.5h	2h	3h	4h	5h	8h	10h
1.85V/cell	234.0	187.6	161.4	126.9	92.7	70.6	50.2	39.0	31.4	23.4	18.5	15.6	10.8	9.24
1.80V/cell	270.6	213.6	183.4	143.9	104.9	74.8	51.3	41.5	33.2	24.5	19.2	16.3	11.0	9.50
1.75V/cell	297.6	234.5	201.0	157.3	114.2	77.8	53.2	43.1	34.5	25.3	19.8	16.7	11.1	9.54
1.70V/cell	315.0	247.6	211.4	165.1	119.9	80.2	55.9	44.2	35.3	25.9	20.3	17.1	11.3	9.60
1.67V/cell	332.8	260.7	222.1	173.2	125.3	82.9	58.2	45.3	36.2	26.4	20.6	17.3	11.4	9.75
1.60V/cell	344.5	269.6	229.0	177.6	128.3	84.5	59.7	46.1	36.9	27.1	21.0	17.7	11.5	9.81

Constant Power Discharge (Watts/cell) at 25°C (77°F)														
F.V/Time	5min	10min	15min	20min	30min	45min	1h	1.5h	2h	3h	4h	5h	8h	10h
1.85V/cell	437.0	353.0	305.6	241.4	177.2	135.7	97.0	75.7	61.1	45.7	36.3	30.8	21.5	18.4
1.80V/cell	497.1	395.9	342.8	270.8	198.8	142.8	98.7	79.9	64.4	47.6	37.5	31.9	21.8	18.8
1.75V/cell	537.1	427.8	370.4	292.6	214.8	147.7	101.9	82.7	66.5	49.1	38.6	32.7	22.0	18.9
1.70V/cell	559.1	445.4	385.6	304.6	223.6	151.3	106.6	84.4	67.8	50.0	39.4	33.3	22.3	19.0
1.67V/cell	580.0	462.0	390.0	316.0	232.0	155.4	110.2	86.1	69.2	50.8	39.7	33.7	22.5	19.3
1.60V/cell	588.1	468.5	395.5	320.4	235.2	157.0	112.2	87.1	70.1	51.8	40.5	34.2	22.6	19.4

# LHR SERIES-HIGH RATE

## LHR12390FT (12V390W)



### APPLICATIONS

- UPS
- Hospitals and Testing Laboratories
- Emergency Power Supply
- Industrial Process Control Facilities
- Banks and Financial Markets
- Data and Network Operation Centers

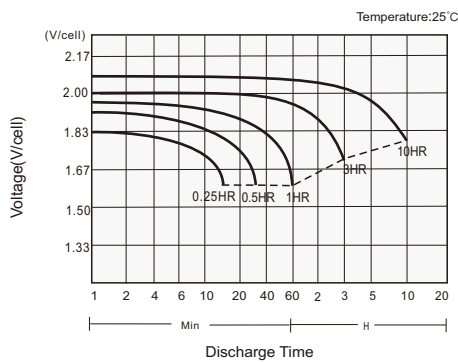
### GENERAL FEATURES

- 12+ years design life (25°C)
- Excellent high current performance - optimised for short discharge time
- Advanced AGM technology for superior high-rate power
- Long Life Alloy - minimizing grid growth, reducing gassing, and extending battery life
- Optimal energy density - saves floor space
- Front access design for easy installation and maintenance

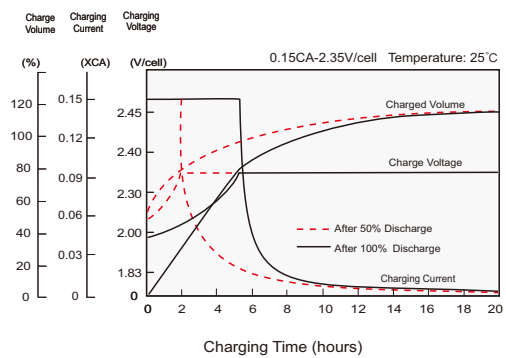
### STANDARDS

- Compliance with IEC 60896 standards
- Classified as "Very Long Life" according to Eurobat
- CE, UL Approved
- Manufactured in Leoch@IATF 16949, ISO 45001, ISO 9001 and ISO 14001 certified production facilities

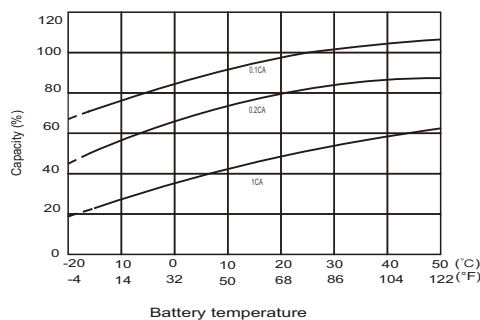
#### Discharge Characteristics



#### Charging Characteristics



#### Effects of Temperature on Capacity



#### Self Discharge Characteristics

