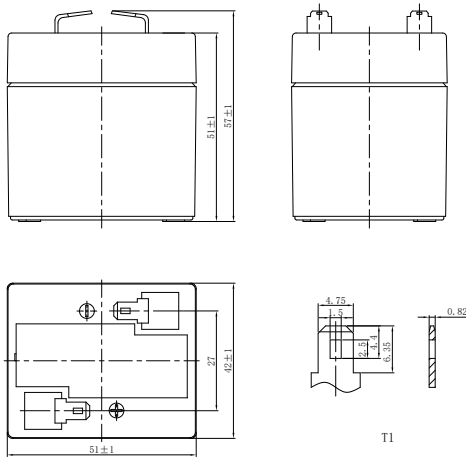


LP SERIES-GENERAL PURPOSE

LP6-1.0 (6V1.0Ah)



CHARACTERISTICS

Item	Specifications	
Rated Voltage	6V	
Nominal Capacity (25°C)	C ₂₀ , 1.75V/cell	1.0Ah
Dimension	Length	51mm (2.01inches)
	Width	42mm (1.65inches)
	Container Height	51mm (2.01inches)
	Total Height	57mm (2.24inches)
Approx Weight	0.25kg (0.551lbs)	
Terminal	T1	
Container Material	ABS (UL94 HB or V-0 optional)	
Short-circuit current	28A	
Internal Resistance (25°C)	Approx 60 mΩ (Fully charged)	
Operating Temp. Range	Discharge	-15~50°C (5~122°F)
	Charge	-20~40°C (-4~104°F)
	Storage	-15~40°C (5~104°F)
Nominal Operating Temp. Range	25±3°C (77±5°F)	
Max. Charging Current (25°C)	0.3C	
Charge voltage (25°C)	Standby Use	Cycle Use
	2.25-2.30V/cell	2.35-2.45V/cell
Temp. Coefficient	-3mV/cell/°C	
	-5mV/cell/°C	
Effect of temp. to Capacity	40°C (104°F)	103%
	25°C (77°F)	100%
	0°C (32°F)	86%
Self Discharge	≤3% per month at 25°C (77°F). LP series batteries may be stored up to 6 months at 25°C (77°F) and then a freshening charge is required. For higher temperatures the time interval will be shorter.	

DISCHARGE TABLE

Constant Current Discharge (Amperes) at 25°C (77°F)																
F.V/Time	5min	10min	15min	20min	30min	45min	1h	1.5h	2h	3h	4h	5h	6h	8h	10h	20h
1.85V/cell	2.79	1.74	1.43	1.14	0.850	0.636	0.581	0.428	0.341	0.250	0.202	0.172	0.147	0.116	0.092	0.049
1.80V/cell	3.00	1.85	1.50	1.19	0.877	0.653	0.595	0.437	0.347	0.254	0.205	0.174	0.149	0.118	0.094	0.049
1.75V/cell	3.16	1.92	1.55	1.22	0.900	0.667	0.607	0.445	0.354	0.258	0.207	0.176	0.151	0.119	0.095	0.050
1.70V/cell	3.31	2.00	1.60	1.26	0.922	0.682	0.618	0.453	0.359	0.262	0.210	0.179	0.153	0.120	0.096	0.050
1.67V/cell	3.43	2.06	1.64	1.29	0.939	0.693	0.628	0.459	0.363	0.264	0.212	0.180	0.154	0.121	0.096	0.051
1.60V/cell	3.63	2.14	1.69	1.32	0.964	0.710	0.642	0.468	0.370	0.269	0.216	0.183	0.156	0.123	0.097	0.051

Constant Power Discharge (Watts/cell) at 25°C (77°F)																
F.V/Time	5min	10min	15min	20min	30min	45min	1h	1.5h	2h	3h	4h	5h	6h	8h	10h	20h
1.85V/cell	5.28	3.32	2.73	2.21	1.64	1.23	1.13	0.836	0.668	0.491	0.398	0.339	0.291	0.230	0.184	0.098
1.80V/cell	5.62	3.50	2.85	2.28	1.69	1.26	1.15	0.851	0.679	0.498	0.403	0.343	0.295	0.233	0.186	0.099
1.75V/cell	5.86	3.61	2.92	2.33	1.72	1.28	1.17	0.864	0.689	0.504	0.407	0.347	0.298	0.235	0.188	0.100
1.70V/cell	6.08	3.73	3.00	2.39	1.76	1.31	1.19	0.877	0.697	0.511	0.412	0.352	0.301	0.237	0.189	0.101
1.67V/cell	6.24	3.81	3.07	2.43	1.79	1.33	1.21	0.886	0.704	0.515	0.416	0.354	0.304	0.239	0.191	0.102
1.60V/cell	6.49	3.92	3.15	2.49	1.83	1.35	1.23	0.901	0.715	0.523	0.422	0.359	0.307	0.242	0.193	0.103

LP SERIES-GENERAL PURPOSE

LP6-1.0 (6V1.0Ah)



APPLICATIONS

- Uninterruptable Power Supply (UPS)
- Electric Power System (EPS)
- Emergency backup power supply
- Alarm and security system
- Communication power supply
- DC power supply
- Auto control system

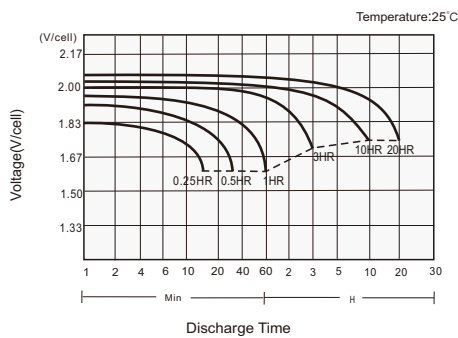
GENERAL FEATURES

- 5 years design life (25°C)
- Lead calcium alloy, sealed design, no watering required
- Puncture resistant micro-porous glass mat separators extend life
- Unique technology optimizes power capacity, cell consistency, and long-term reliability
- Designed for a wide range of applications

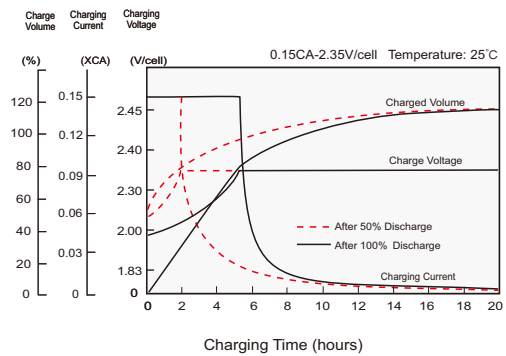
STANDARDS

- Compliance with IEC 60896 standards, EU Battery Directive
- UL, CE Approved
- Manufactured in Leoch@IATF 16949, ISO 45001, ISO 9001 and ISO 14001 certified production facilities

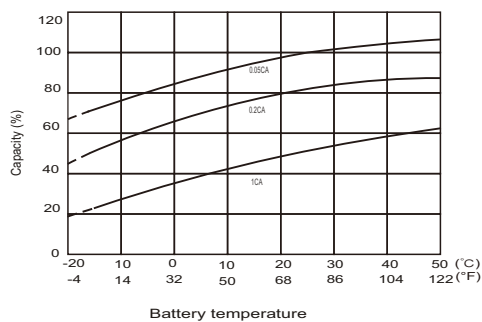
Discharge Characteristics



Charging Characteristics



Effects of Temperature on Capacity



Self Discharge Characteristics

