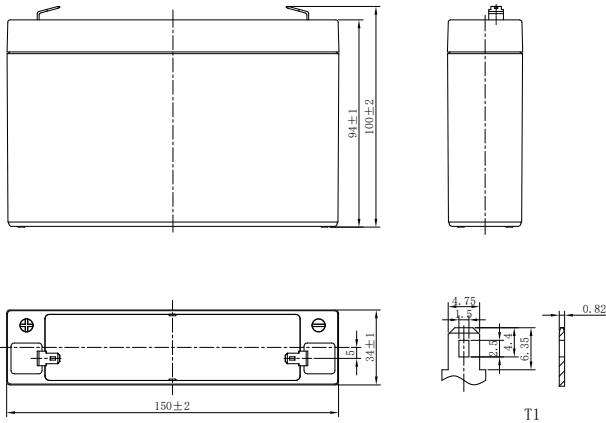


LP SERIES-GENERAL PURPOSE

LP6-7.2 (6V7.2Ah)



CHARACTERISTICS

Item	Specifications	
Rated Voltage	6V	
Nominal Capacity (25°C)	C ₂₀ : 1.75V/cell	7.2Ah
Dimension	Length	150mm (5.91inches)
	Width	34mm (1.34inches)
	Container Height	94mm (3.70inches)
	Total Height	100mm (3.94inches)
Approx Weight	1.05kg (2.31lbs)	
Terminal	T1/T2	
Container Material	ABS (UL94 HB or V-0 optional)	
Short-circuit current	201.6A	
Internal Resistance (25°C)	Approx 13 mΩ (Fully charged)	
Operating Temp. Range	Discharge	-15~50°C (5~122°F)
	Charge	-20~40°C (-4~104°F)
	Storage	-15~40°C (5~104°F)
Nominal Operating Temp. Range	25±3°C (77±5°F)	
Max. Charging Current (25°C)	0.3C	
Charge voltage (25°C)	Standby Use	Cycle Use
	2.25-2.30V/cell	2.35-2.45V/cell
Temp. Coefficient	-3mV/cell/°C	
	-5mV/cell/°C	
Effect of temp. to Capacity	40°C (104°F)	103%
	25°C (77°F)	100%
	0°C (32°F)	86%
Self Discharge	≤3% per month at 25°C (77°F).	
	LP series batteries may be stored up to 6 months at 25°C (77°F) and then a freshening charge is required. For higher temperatures the time interval will be shorter.	

DISCHARGE TABLE

Constant Current Discharge (Amperes) at 25°C (77°F)																
F.V/Time	5min	10min	15min	20min	30min	45min	1h	1.5h	2h	3h	4h	5h	6h	8h	10h	20h
1.85V/cell	20.1	14.8	11.7	9.58	7.03	5.23	4.28	3.12	2.48	1.81	1.43	1.19	1.02	0.799	0.653	0.351
1.80V/cell	21.8	15.6	12.2	9.88	7.21	5.34	4.35	3.17	2.52	1.84	1.45	1.21	1.03	0.809	0.660	0.355
1.75V/cell	23.6	16.3	12.7	10.2	7.38	5.44	4.43	3.23	2.56	1.87	1.47	1.22	1.04	0.819	0.669	0.360
1.70V/cell	25.4	17.1	13.1	10.5	7.54	5.54	4.51	3.28	2.60	1.89	1.49	1.24	1.06	0.829	0.676	0.362
1.67V/cell	26.4	17.5	13.4	10.7	7.65	5.61	4.56	3.31	2.62	1.91	1.50	1.25	1.07	0.836	0.681	0.365
1.60V/cell	28.8	18.6	14.0	11.1	7.88	5.76	4.67	3.38	2.68	1.95	1.53	1.27	1.08	0.849	0.692	0.370
Constant Power Discharge (Watts/cell) at 25°C (77°F)																
F.V/Time	5min	10min	15min	20min	30min	45min	1h	1.5h	2h	3h	4h	5h	6h	8h	10h	20h
1.85V/cell	38.2	28.3	22.6	18.4	13.6	10.1	8.32	6.10	4.86	3.56	2.82	2.35	2.01	1.59	1.30	0.703
1.80V/cell	41.2	29.6	23.3	18.9	13.9	10.3	8.44	6.18	4.92	3.61	2.85	2.38	2.04	1.60	1.31	0.710
1.75V/cell	44.2	30.9	24.0	19.4	14.1	10.5	8.57	6.26	4.98	3.65	2.89	2.40	2.06	1.62	1.33	0.717
1.70V/cell	47.2	32.1	24.8	19.9	14.4	10.6	8.69	6.35	5.05	3.70	2.92	2.43	2.08	1.64	1.34	0.725
1.67V/cell	49.0	32.9	25.2	20.2	14.6	10.7	8.76	6.40	5.09	3.73	2.94	2.45	2.10	1.65	1.35	0.729
1.60V/cell	52.9	34.6	26.2	20.8	14.9	11.0	8.93	6.51	5.17	3.79	2.99	2.49	2.13	1.68	1.37	0.740

LP SERIES-GENERAL PURPOSE

LP6-7.2 (6V7.2Ah)



APPLICATIONS

- Uninterruptable Power Supply (UPS)
- Electric Power System (EPS)
- Emergency backup power supply
- Alarm and security system
- Communication power supply
- DC power supply
- Auto control system

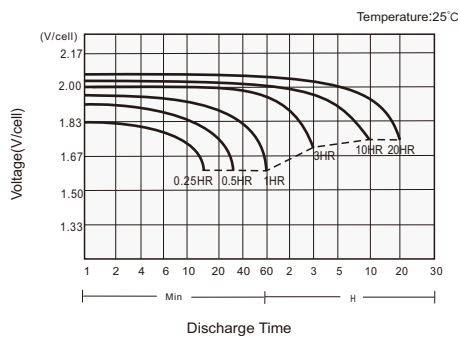
GENERAL FEATURES

- 5 years design life (25°C)
- Lead calcium alloy, sealed design, no watering required
- Puncture resistant micro-porous glass mat separators extend life
- Unique technology optimizes power capacity, cell consistency, and long-term reliability
- Designed for a wide range of applications

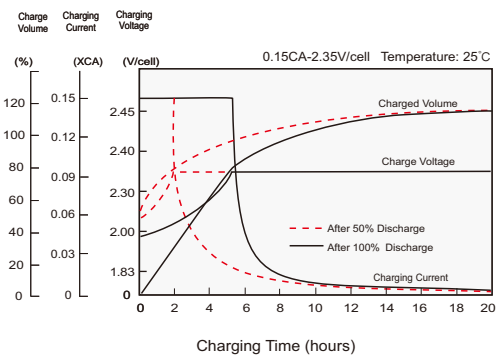
STANDARDS

- Compliance with IEC 60896 standards, EU Battery Directive
- UL, CE Approved
- Manufactured in Leoch@IATF 16949, ISO 45001, ISO 9001 and ISO 14001 certified production facilities

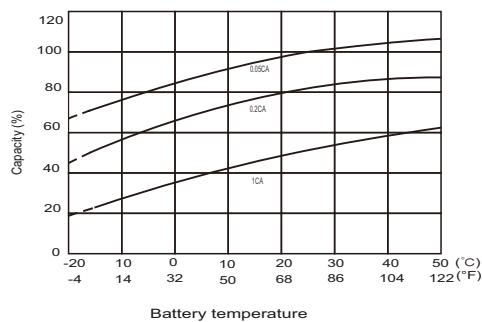
Discharge Characteristics



Charging Characteristics



Effects of Temperature on Capacity



Self Discharge Characteristics

