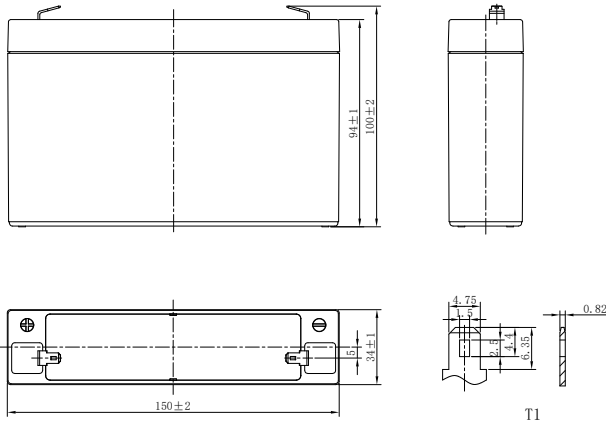


LP SERIES-GENERAL PURPOSE

LP6-8.5 (6V8.5Ah)



CHARACTERISTICS

Item	Specifications	
Rated Voltage	6V	
Nominal Capacity (25°C)	C ₂₀ : 1.75V/cell	8.5Ah
Dimension	Length	150mm (5.91inches)
	Width	34mm (1.34inches)
	Container Height	94mm (3.70inches)
	Total Height	100mm (3.94inches)
Approx Weight	1.20kg (2.65lbs)	
Terminal	T1/T2	
Container Material	ABS (UL94 HB or V-0 optional)	
Short-circuit current	238A	
Internal Resistance (25°C)	Approx 14 mΩ (Fully charged)	
Operating Temp. Range	Discharge	-15~50°C (5~122°F)
	Charge	-20~40°C (-4~104°F)
	Storage	-15~40°C (5~104°F)
Nominal Operating Temp. Range	25±3°C (77±5°F)	
Max. Charging Current (25°C)	0.3C	
Charge voltage (25°C)	Standby Use	Cycle Use
	2.25-2.30V/cell	2.35-2.45V/cell
Temp. Coefficient	-3mV/cell/°C	
	40°C (104°F)	103%
Effect of temp. to Capacity	25°C (77°F)	100%
	0°C (32°F)	86%
	≤3% per month at 25°C (77°F). LP series batteries may be stored up to 6 months at 25°C (77°F) and then a freshening charge is required. For higher temperatures the time interval will be shorter.	
Self Discharge		

DISCHARGE TABLE

Constant Current Discharge (Amperes) at 25°C (77°F)																
F.V/Time	5min	10min	15min	20min	30min	45min	1h	1.5h	2h	3h	4h	5h	6h	8h	10h	20h
1.85V/cell	29.4	19.4	14.9	11.9	8.79	6.39	5.17	3.70	2.84	1.98	1.57	1.34	1.15	0.904	0.750	0.415
1.80V/cell	31.6	20.6	15.7	12.4	9.06	6.56	5.30	3.78	2.89	2.01	1.60	1.36	1.17	0.917	0.761	0.420
1.75V/cell	33.3	21.4	16.2	12.8	9.30	6.70	5.41	3.85	2.95	2.04	1.62	1.38	1.18	0.927	0.768	0.425
1.70V/cell	34.9	22.2	16.7	13.1	9.54	6.85	5.51	3.92	2.99	2.07	1.64	1.40	1.19	0.937	0.776	0.428
1.67V/cell	36.1	22.9	17.1	13.4	9.70	6.96	5.59	3.97	3.02	2.09	1.66	1.41	1.20	0.944	0.781	0.432
1.60V/cell	38.3	23.8	17.7	13.8	10.0	7.14	5.72	4.05	3.08	2.13	1.69	1.43	1.22	0.957	0.791	0.436
Constant Power Discharge (Watts/cell) at 25°C (77°F)																
F.V/Time	5min	10min	15min	20min	30min	45min	1h	1.5h	2h	3h	4h	5h	6h	8h	10h	20h
1.85V/cell	55.6	36.9	28.6	23.0	17.0	12.4	10.1	7.23	5.56	3.88	3.10	2.65	2.27	1.79	1.49	0.831
1.80V/cell	59.2	38.9	29.8	23.8	17.4	12.7	10.3	7.36	5.65	3.94	3.14	2.68	2.30	1.82	1.51	0.840
1.75V/cell	61.7	40.1	30.6	24.3	17.8	12.9	10.4	7.47	5.74	3.99	3.18	2.71	2.33	1.84	1.52	0.850
1.70V/cell	64.0	41.5	31.5	24.9	18.2	13.1	10.6	7.58	5.81	4.04	3.22	2.74	2.35	1.85	1.54	0.857
1.67V/cell	65.7	42.4	32.1	25.4	18.5	13.3	10.7	7.66	5.86	4.08	3.24	2.76	2.37	1.87	1.55	0.863
1.60V/cell	68.3	43.6	33.0	26.0	18.9	13.6	10.9	7.79	5.96	4.14	3.29	2.80	2.40	1.89	1.57	0.873

LP SERIES-GENERAL PURPOSE

LP6-8.5 (6V8.5Ah)



APPLICATIONS

- Uninterruptable Power Supply (UPS)
- Electric Power System (EPS)
- Emergency backup power supply
- Alarm and security system
- Communication power supply
- DC power supply
- Auto control system

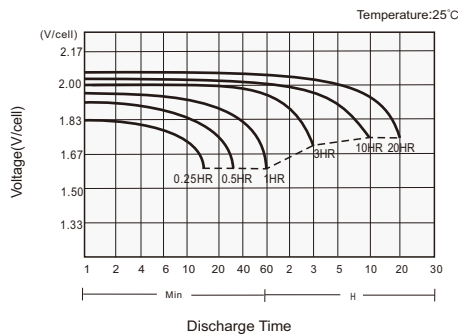
GENERAL FEATURES

- 5 years design life (25°C)
- Lead calcium alloy, sealed design, no watering required
- Puncture resistant micro-porous glass mat separators extend life
- Unique technology optimizes power capacity, cell consistency, and long-term reliability
- Designed for a wide range of applications

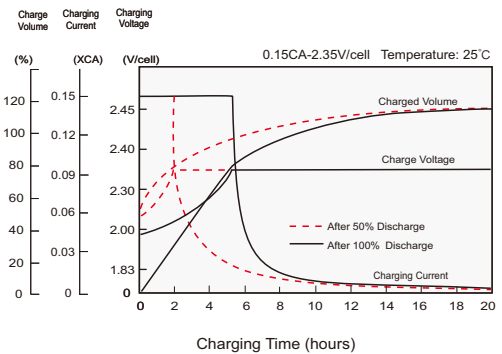
STANDARDS

- Compliance with IEC 60896 standards, EU Battery Directive
- UL, CE Approved
- Manufactured in Leoch@IATF 16949, ISO 45001, ISO 9001 and ISO 14001 certified production facilities

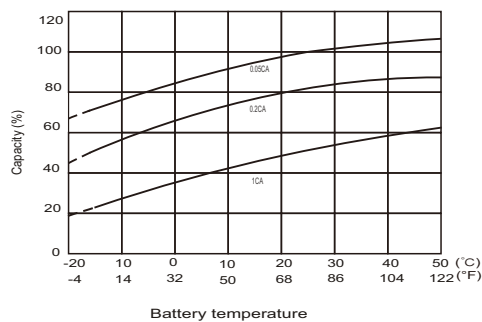
Discharge Characteristics



Charging Characteristics



Effects of Temperature on Capacity



Self Discharge Characteristics

