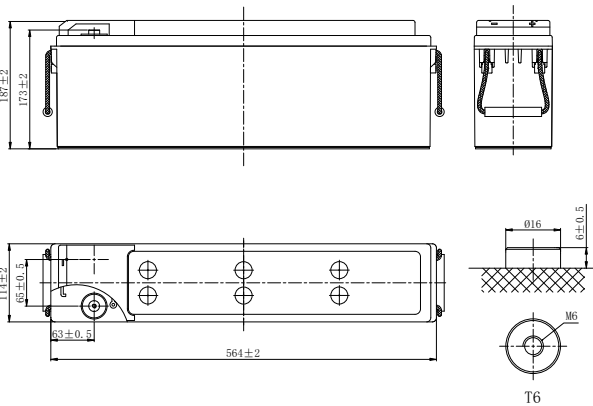
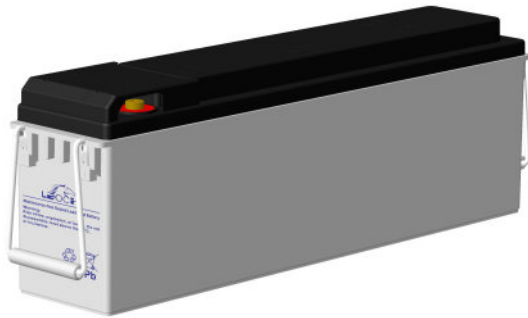


# LPF SERIES-FRONT TERMINAL

## LPF12-70 (12V70Ah)



### CHARACTERISTICS

Item	Specifications	
Rated Voltage	12V	
Nominal Capacity (25°C)	C <sub>10</sub> : 1.80V/cell	70Ah
Dimension	Length	564mm (22.2inches)
	Width	114mm (4.49inches)
	Container Height	187mm (7.36inches)
	Total Height	187mm (7.36inches)
Approx Weight	25.5kg (56.2lbs)	
Terminal	T6(M6)	
Container Material	ABS (UL94 HB or V-0 optional)	
Short-circuit current	1610A	
Internal Resistance (25°C)	Approx 5.2 mΩ (Fully charged)	
Operating Temp. Range	Discharge	-15~50°C (5~122°F)
	Charge	-20~40°C (-4~104°F)
	Storage	-15~40°C (5~104°F)
Nominal Operating Temp. Range	25±3°C (77±5°F)	
Max.Charging Current (25°C)	0.3C	
Charge voltage (25°C)	Float Charge	Equalization Charge
	2.25-2.30V/cell	2.35-2.40V/cell
Temp. Coefficient	-3mV/cell/°C	-5mV/cell/°C
	40°C (104°F)	103%
Effect of temp. to Capacity	25°C (77°F)	100%
	0°C (32°F)	86%
	≤3% per month at 25°C (77°F). LPF series batteries may be stored up to 6 months at 25°C (77°F) and then a freshening charge is required. For higher temperatures the time interval will be shorter.	
Self Discharge		

### DISCHARGE TABLE

Constant Current Discharge (Amperes) at 25°C (77°F)													
F.V/Time	15min	20min	30min	45min	1h	2h	3h	4h	5h	6h	8h	10h	20h
1.85V/cell	91.6	81.3	64.7	49.8	36.9	22.1	16.7	13.3	11.1	10.0	7.85	6.56	3.52
1.80V/cell	106.4	91.8	71.3	53.6	40.8	24.1	18.1	14.3	12.0	10.5	8.40	7.00	3.73
1.75V/cell	115.4	97.0	74.2	55.2	42.3	24.8	18.6	14.7	12.3	10.6	8.55	7.11	3.76
1.70V/cell	120.4	100.6	76.6	56.6	43.9	25.6	19.1	15.1	12.5	10.7	8.70	7.22	3.80
1.67V/cell	123.5	103.5	78.0	57.5	44.8	26.0	19.4	15.3	12.7	10.8	8.80	7.28	3.83
1.60V/cell	130.2	105.8	79.4	58.6	47.0	27.1	20.1	15.8	13.1	10.9	9.00	7.44	3.90
Constant Power Discharge (Watts/cell) at 25°C (77°F)													
F.V/Time	15min	20min	30min	45min	1h	2h	3h	4h	5h	6h	8h	10h	20h
1.85V/cell	176.1	157.5	126.2	97.7	71.7	43.3	32.7	26.1	21.9	20.1	15.5	13.0	6.99
1.80V/cell	203.3	176.8	138.4	104.6	78.8	46.8	35.3	28.1	23.5	21.1	16.6	13.8	7.37
1.75V/cell	219.0	186.1	143.5	107.4	81.1	48.0	36.1	28.7	24.0	21.3	16.8	14.0	7.46
1.70V/cell	226.0	190.9	146.7	109.2	83.5	49.3	36.9	29.3	24.4	21.5	17.1	14.2	7.55
1.67V/cell	228.4	194.0	147.8	109.9	84.9	49.9	37.4	29.6	24.7	21.7	17.2	14.3	7.60
1.60V/cell	230.2	195.7	148.5	111.3	88.2	51.6	38.6	30.5	25.3	21.9	17.6	14.6	7.73

# LPF SERIES-FRONT TERMINAL

## LPF12-70 (12V70Ah)



### APPLICATIONS

- For standard power cabinet
- Network connection equipment of communication system
- Power system of special network of local area network
- Power station systems
- UPS

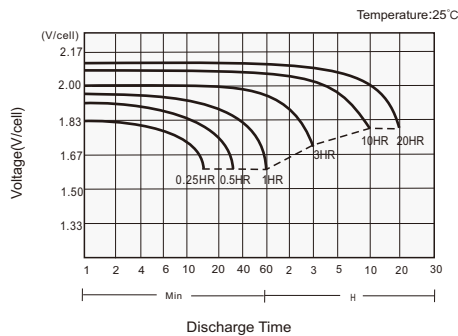
### GENERAL FEATURES

- 12+ years design life (25°C)
- Puncture resistant micro-porous glass mat separators extend life
- Flame-arresting, one-way pressure-relief vent for safety and long life
- Front access design for easy installation and maintenance
- Epoxy-sealed posts eliminate leaks

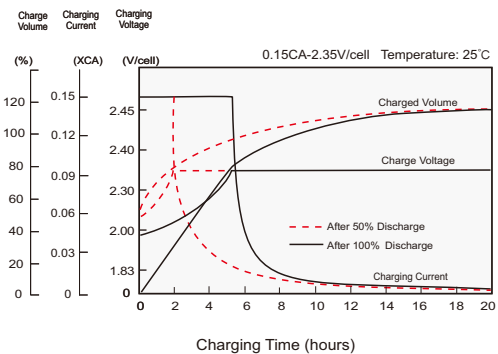
### STANDARDS

- Compliance with IEC 60896 standards, EU Battery Directive
- UL, CE Approved
- Manufactured in Leoch@IATF 16949, ISO 45001, ISO 9001 and ISO 14001 certified production facilities

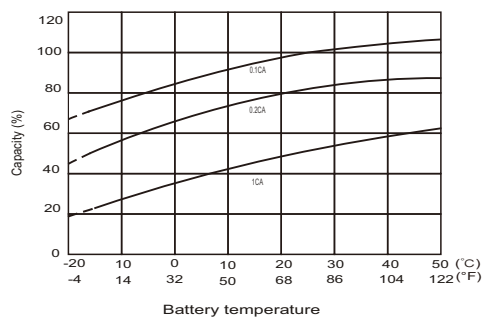
#### Discharge Characteristics



#### Charging Characteristics



#### Effects of Temperature on Capacity



#### Self Discharge Characteristics

