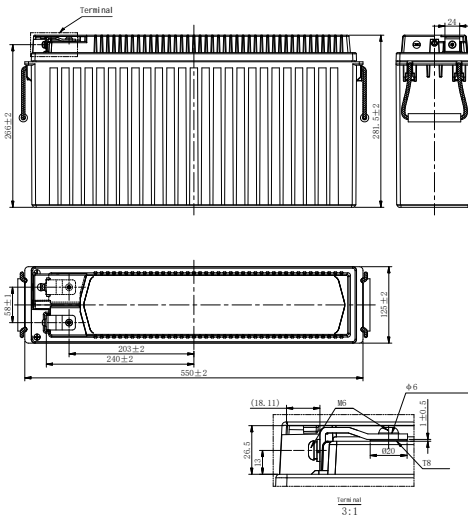


LPFGS SERIES-FRONT TERMINAL HYBRID GEL

LPFGS12-180 (12V180Ah)



CHARACTERISTICS

Item	Specifications	
Rated Voltage	12V	
Nominal Capacity (25°C)	C ₂₀ 1.80V/cell	180Ah
Dimension	Length	550mm (21.7inches)
	Width	125mm (4.92inches)
	Container Height	281.5mm (11.1inches)
	Total Height	281.5mm (11.1inches)
Approx Weight	51.4kg (113.3lbs)	
Terminal	T8(M6)	
Container Material	ABS (UL94 HB or V-0 optional)	
Short-circuit current	1530A	
Internal Resistance (25°C)	Approx 4.2 mΩ (Fully charged)	
Operating Temp. Range	Discharge	-20~55°C (-4~131°F)
	Charge	-20~40°C (-4~104°F)
	Storage	-20~50°C (-4~122°F)
Nominal Operating Temp. Range	25±3°C (77±5°F)	
Max.Charging Current (25°C)	0.25C	
Charge voltage (25°C)	Standby Use	Cycle Use
	2.25-2.30V/cell	2.35-2.40V/cell
Temp. Coefficient	-3mV/cell/°C	-5mV/cell/°C
	40°C (104°F)	103%
Effect of temp. to Capacity	25°C (77°F)	100%
	0°C (32°F)	86%
	≤3% per month at 25°C (77°F). LPFGS series batteries can be stored up to 6 months at 25°C (77°F) and then a freshening charge is required. For higher temperatures the time interval will be shorter.	
Self Discharge		

DISCHARGE TABLE

Constant Current Discharge (Amperes) at 25°C (77°F)													
F.V/Time	15min	20min	30min	45min	1h	2h	3h	4h	5h	6h	8h	10h	20h
1.85V/cell	216.2	193.8	158.8	122.4	98.9	57.7	42.2	33.8	28.4	24.6	19.5	16.3	8.61
1.80V/cell	249.6	216.2	170.7	129.4	103.5	59.8	43.7	34.9	29.2	25.2	20.2	17.0	9.00
1.75V/cell	268.6	230.5	177.5	133.5	106.6	61.1	44.4	35.3	29.6	25.6	20.5	17.2	9.09
1.70V/cell	281.5	239.7	183.6	136.0	108.3	62.0	45.0	35.8	29.9	25.9	20.8	17.4	9.15
1.67V/cell	291.0	244.8	187.3	138.9	110.5	62.8	45.4	36.2	30.3	26.2	21.0	17.5	9.20
1.60V/cell	299.2	251.9	191.1	141.0	112.2	63.6	46.0	36.5	30.6	26.4	21.2	17.7	9.25
Constant Power Discharge (Watts/cell) at 25°C (77°F)													
F.V/Time	15min	20min	30min	45min	1h	2h	3h	4h	5h	6h	8h	10h	20h
1.85V/cell	407.8	369.2	305.8	237.7	192.8	113.2	83.1	66.8	56.2	48.8	38.9	32.5	17.2
1.80V/cell	464.4	405.9	323.7	249.4	200.7	116.5	85.6	68.5	57.6	49.9	40.2	33.9	18.0
1.75V/cell	493.8	428.7	333.9	254.9	205.7	118.7	86.7	69.2	58.1	50.5	40.7	34.3	18.1
1.70V/cell	510.4	442.4	343.5	258.7	208.3	120.1	87.7	70.0	58.5	51.0	41.1	34.6	18.2
1.67V/cell	525.5	450.0	349.8	263.4	212.0	121.5	88.3	70.6	59.2	51.4	41.5	34.9	18.3
1.60V/cell	529.5	456.6	352.2	264.4	213.2	121.9	88.7	70.9	59.5	51.7	41.8	35.1	18.4

LPFGS SERIES-FRONT TERMINAL HYBRID GEL

LPFGS12-180 (12V180Ah)



APPLICATIONS

- For standard power cabinet
- Network connection equipment of communication system
- Power system of special network of local area network
- Power station systems
- UPS

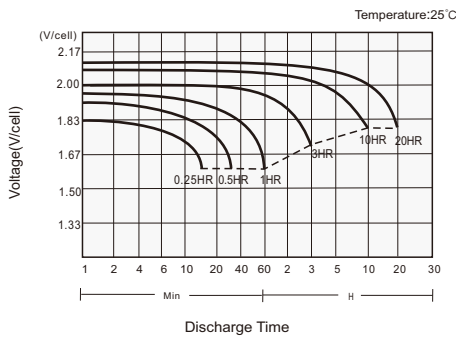
GENERAL FEATURES

- 12 years design life (25°C)
- Proven AGM-GEL technology
- Excellent deep discharge recovery and cyclability
- Very low maintenance: no water addition
- Low self-discharge rate
- Front access design for easy installation and maintenance

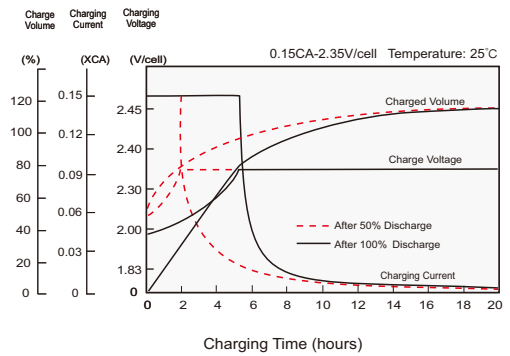
STANDARDS

- Compliance with IEC 60896 standards, EU Battery Directive
- UL, CE Approved
- Manufactured in Leoch@IATF 16949, ISO 45001, ISO 9001 and ISO 14001 certified production facilities

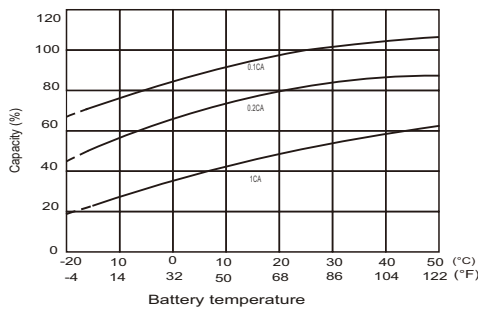
Discharge Characteristics



Charging Characteristics



Effects of Temperature on Capacity



Self Discharge Characteristics

