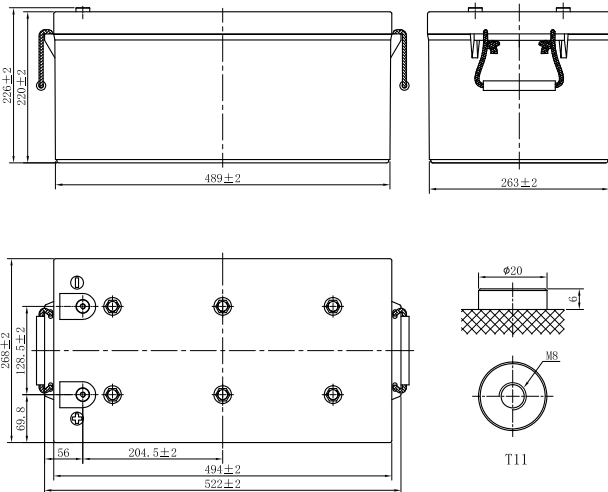


LPGS SERIES-HYBRID GEL BATTERY

LPGS12-250 (12V250Ah)



CHARACTERISTICS

Item	Specifications	
Rated Voltage	12V	
Nominal Capacity (25°C)	C_{10} 1.80V/cell	250Ah
Dimension	Length	522mm (20.6inches)
	Width	268mm (10.6inches)
	Container Height	220mm (8.66inches)
	Total Height	226mm (8.90inches)
Approx Weight	73.1kg (161.2lbs)	
Terminal	T11(M8)	
Container Material	ABS (UL94 HB or V-0 optional)	
Short-circuit current	4500A	
Internal Resistance (25°C)	Approx 2.5 mΩ (Fully charged)	
Operating Temp. Range	Discharge	-20~55°C (-4~131°F)
	Charge	-20~40°C (-4~104°F)
	Storage	-20~50°C (-4~122°F)
Nominal Operating Temp. Range	25±3°C (77±5°F)	
Max.Charging Current (25°C)	0.25C	
Charge voltage (25°C)	Standby Use	Cycle Use
	2.25-2.30V/cell	2.35-2.40V/cell
Temp. Coefficient	-3mV/cell/°C	-5mV/cell/°C
	40°C (104°F)	103%
Effect of temp. to Capacity	25°C (77°F)	100%
	0°C (32°F)	86%
	≤3% per month at 25°C (77°F). LPGS series batteries can be stored up to 6 months at 25°C (77°F) and then a freshening charge is required. For higher temperatures the time interval will be shorter.	
Self Discharge		

DISCHARGE TABLE

Constant Current Discharge (Amperes) at 25°C (77°F)													
F.V/Time	15min	20min	30min	45min	1h	2h	3h	4h	5h	6h	8h	10h	20h
1.85V/cell	269.5	225.4	178.1	135.3	111.9	71.2	55.3	45.5	38.6	33.6	27.4	23.2	12.5
1.80V/cell	320.8	262.6	205.0	153.5	124.5	77.3	59.4	48.4	41.5	36.1	29.2	25.0	12.9
1.75V/cell	357.7	288.3	218.5	162.4	131.7	81.1	61.5	50.0	42.5	37.1	29.7	25.3	13.0
1.70V/cell	386.4	306.5	230.5	170.5	137.5	85.1	63.6	51.5	43.7	37.9	30.1	25.4	13.3
1.67V/cell	406.9	322.5	241.4	175.6	142.4	87.4	66.0	53.0	44.7	38.7	30.6	25.6	13.4
1.60V/cell	438.7	346.3	256.5	185.7	149.3	90.6	68.3	54.3	45.5	39.5	30.9	26.1	13.5
Constant Power Discharge (Watts/cell) at 25°C (77°F)													
F.V/Time	15min	20min	30min	45min	1h	2h	3h	4h	5h	6h	8h	10h	20h
1.85V/cell	506.7	428.1	341.3	261.2	216.9	138.6	108.1	89.1	75.9	66.4	54.3	46.1	24.9
1.80V/cell	595.7	491.8	387.9	294.2	240.0	149.8	115.5	94.4	81.3	70.9	57.7	49.6	25.6
1.75V/cell	655.4	534.4	410.0	308.5	252.6	156.5	119.3	97.3	83.1	72.7	58.5	50.0	25.8
1.70V/cell	697.0	563.0	429.4	322.1	262.6	163.6	123.1	100.0	85.0	74.1	59.3	50.2	26.3
1.67V/cell	726.9	586.8	445.6	329.2	270.2	167.1	127.2	102.6	86.7	75.5	60.0	50.6	26.5
1.60V/cell	770.7	623.2	469.6	345.8	281.7	172.4	131.0	104.6	88.1	76.9	60.7	51.4	26.7

LPGS SERIES-HYBRID GEL BATTERY

LPGS12-250 (12V250Ah)



APPLICATIONS

- Communication power supply
- Engine starting
- Pump systems
- Alarm installations
- Marine and power stations

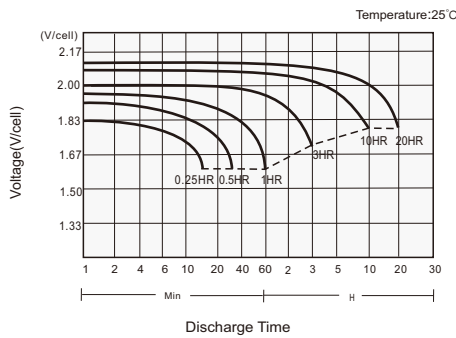
GENERAL FEATURES

- 12 years design life (25°C)
- Proven AGM-GEL technology
- Excellent deep discharge recovery and cyclability
- Very low maintenance: no water addition
- Low self-discharge rate

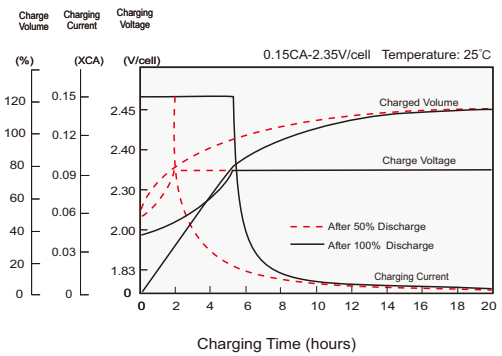
STANDARDS

- IEC60896 Certified
- Classified as "Long Life" according to Eurobat
- UL, CE Approved
- Manufactured in Leoch@IATF 16949, ISO 45001, ISO 9001 and ISO 14001 certified production facilities

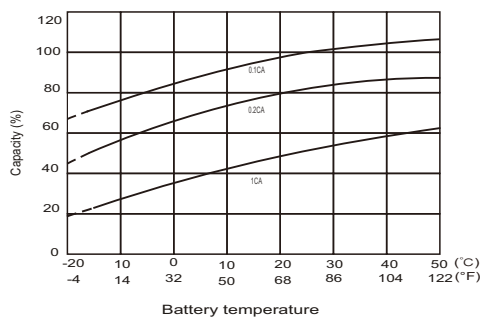
Discharge Characteristics



Charging Characteristics



Effects of Temperature on Capacity



Self Discharge Characteristics

