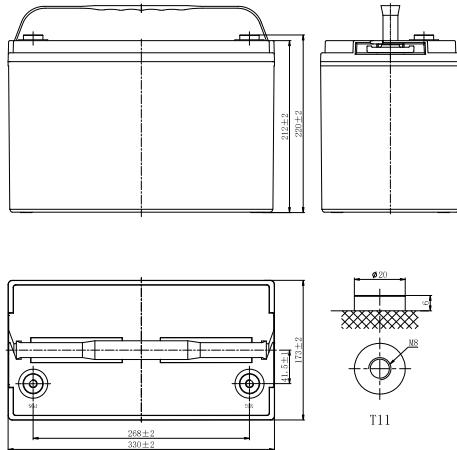


# LPL SERIES-LONG LIFE STANDBY

## LPL12-100 (12V100Ah)



### CHARACTERISTICS

Item	Specifications	
Rated Voltage	12V	
Nominal Capacity (25°C)	C <sub>10</sub> : 1.80V/cell	100Ah
Dimension	Length	330mm (13.0inches)
	Width	173mm (6.81inches)
	Container Height	212mm (8.35inches)
	Total Height	220mm (8.66inches)
Approx Weight	30.5kg (67.2lbs)	
Terminal	T11(M8)	
Container Material	ABS (UL94 HB or V-0 optional)	
Short-circuit current	2000A	
Internal Resistance (25°C)	Approx 5 mΩ (Fully charged)	
Operating Temp. Range	Discharge	-15~50°C (5~122°F)
	Charge	-20~40°C (-4~104°F)
	Storage	-15~40°C (5~104°F)
Nominal Operating Temp. Range	25±3°C (77±5°F)	
Max.Charging Current (25°C)	0.3C	
Charge voltage (25°C)	Float Charge	Equalization Charge
	2.25-2.30V/cell	2.35-2.40V/cell
Temp. Coefficient	-3mV/cell/°C	
	-5mV/cell/°C	
Effect of temp. to Capacity	40°C (104°F)	103%
	25°C (77°F)	100%
	0°C (32°F)	86%
Self Discharge	≤3% per month at 25°C (77°F). LPL series batteries may be stored up to 6 months at 25°C (77°F) and then a freshening charge is required. For higher temperatures the time interval will be shorter.	

### DISCHARGE TABLE

Constant Current Discharge (Amperes) at 25°C (77°F)														
F.V/Time	10min	15min	20min	30min	45min	1h	2h	3h	4h	5h	6h	8h	10h	20h
1.85V/cell	140.5	121.9	100.4	78.8	58.9	50.9	31.7	23.2	18.2	15.8	13.9	10.7	9.55	5.07
1.80V/cell	159.5	138.1	112.0	85.8	62.4	52.7	32.7	25.2	19.4	16.6	15.0	11.3	10.0	5.25
1.75V/cell	173.0	149.5	118.6	87.6	64.6	55.3	34.4	25.7	19.8	16.9	15.1	11.4	10.1	5.30
1.70V/cell	184.5	158.8	124.1	89.3	65.9	56.4	35.1	26.2	20.2	17.2	15.2	11.5	10.2	5.36
1.67V/cell	190.3	163.4	127.1	90.7	66.9	57.3	35.6	26.4	20.5	17.6	15.3	11.7	10.3	5.42
1.60V/cell	196.8	168.5	130.3	92.0	67.9	58.1	36.1	26.7	20.7	17.8	15.4	11.8	10.5	5.49
Constant Power Discharge (Watts/cell) at 25°C (77°F)														
F.V/Time	10min	15min	20min	30min	45min	1h	2h	3h	4h	5h	6h	8h	10h	20h
1.85V/cell	264.4	230.7	190.7	150.7	113.2	98.5	61.6	45.4	35.7	31.1	27.5	21.3	19.0	10.1
1.80V/cell	295.8	258.1	210.4	162.7	119.2	101.4	63.3	49.0	38.0	32.6	29.5	22.3	19.9	10.4
1.75V/cell	315.7	275.4	220.1	164.8	122.7	106.0	66.3	49.9	38.6	33.1	29.6	22.4	20.0	10.5
1.70V/cell	331.9	289.6	228.2	166.7	124.3	107.5	67.4	50.6	39.1	33.5	29.7	22.7	20.2	10.6
1.67V/cell	337.2	294.3	231.1	167.9	125.4	108.5	68.1	50.9	39.6	34.1	29.8	23.0	20.4	10.7
1.60V/cell	342.0	298.4	233.5	168.6	126.1	109.3	68.6	51.1	39.9	34.4	29.9	23.2	20.6	10.9

# LPL SERIES-LONG LIFE STANDBY

## LPL12-100 (12V100Ah)



### APPLICATIONS

- UPS and EPS
- Emergency light
- Railway signal and aircraft signal system
- Marine and power stations
- Alarm and security system
- Electronic apparatus and equipment
- Communication power supply, DC power supply

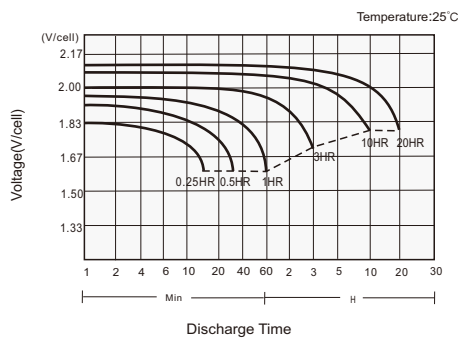
### GENERAL FEATURES

- 12 years design life (25°C)
- Lead calcium alloy, sealed design, no watering required
- Puncture resistant micro-porous glass mat separators extend life
- Unique technology optimizes power capacity, cell consistency, and long-term reliability
- Designed for a wide range of applications

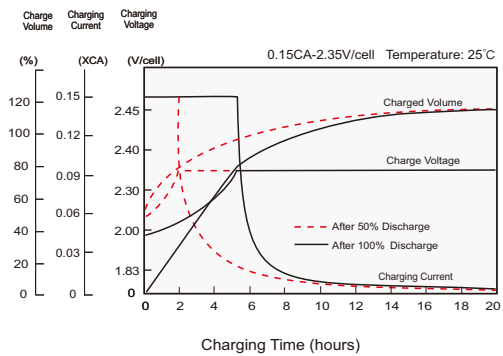
### STANDARDS

- Compliance with IEC 60896 standards, EU Battery Directive
- UL, CE Approved
- Manufactured in Leoch@IATF 16949, ISO 45001, ISO 9001 and ISO 14001 certified production facilities

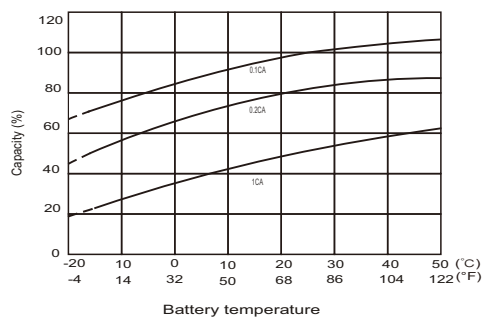
### Discharge Characteristics



### Charging Characteristics



### Effects of Temperature on Capacity



### Self Discharge Characteristics

