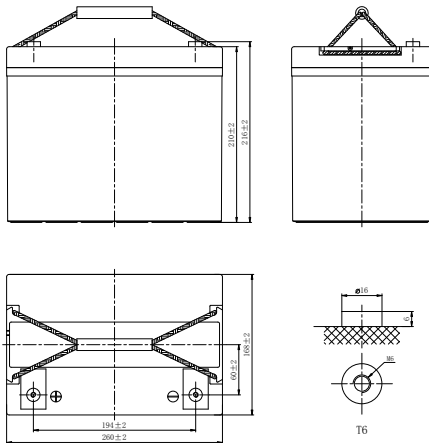


# LPL SERIES-LONG LIFE STANDBY

## LPL12-60 (12V60Ah)



### CHARACTERISTICS

Item	Specifications	
Rated Voltage	12V	
Nominal Capacity (25°C)	C <sub>10</sub> : 1.80V/cell	60Ah
Dimension	Length	260mm (10.2inches)
	Width	168mm (6.61inches)
	Container Height	210mm (8.27inches)
	Total Height	216mm (8.50inches)
Approx Weight	20.7kg (45.6lbs)	
Terminal	T6(M6)	
Container Material	ABS (UL94 HB or V-0 optional)	
Short-circuit current	1380A	
Internal Resistance (25°C)	Approx 7.4 mΩ (Fully charged)	
Operating Temp. Range	Discharge	-15~50°C (5~122°F)
	Charge	-20~40°C (-4~104°F)
	Storage	-15~40°C (5~104°F)
Nominal Operating Temp. Range	25±3°C (77±5°F)	
Max.Charging Current (25°C)	0.3C	
Charge voltage (25°C)	Float Charge	Equalization Charge
	2.25-2.30V/cell	2.35-2.40V/cell
Temp. Coefficient	-3mV/cell/°C	
	-5mV/cell/°C	
Effect of temp. to Capacity	40°C (104°F)	103%
	25°C (77°F)	100%
	0°C (32°F)	86%
Self Discharge	≤3% per month at 25°C (77°F). LPL series batteries may be stored up to 6 months at 25°C (77°F) and then a freshening charge is required. For higher temperatures the time interval will be shorter.	

### DISCHARGE TABLE

Constant Current Discharge (Amperes) at 25°C (77°F)														
F.V/Time	10min	15min	20min	30min	45min	1h	2h	3h	4h	5h	6h	8h	10h	20h
1.85V/cell	89.7	77.7	61.1	54.6	40.0	33.9	20.6	15.1	11.9	10.3	9.08	6.98	5.79	3.07
1.80V/cell	101.8	88.1	69.1	59.5	42.3	35.1	21.3	16.4	12.7	10.8	9.76	7.35	6.00	3.18
1.75V/cell	110.4	95.4	74.6	60.7	43.9	36.8	22.4	16.7	12.9	11.0	9.83	7.39	6.12	3.21
1.70V/cell	117.7	101.3	79.1	61.9	44.8	37.5	22.9	17.1	13.1	11.2	9.88	7.50	6.18	3.25
1.67V/cell	121.4	104.2	81.3	62.8	45.4	38.1	23.2	17.2	13.3	11.4	9.93	7.61	6.26	3.29
1.60V/cell	125.5	107.5	83.4	63.8	46.1	38.6	23.5	17.4	13.5	11.6	10.0	7.70	6.33	3.32
Constant Power Discharge (Watts/cell) at 25°C (77°F)														
F.V/Time	10min	15min	20min	30min	45min	1h	2h	3h	4h	5h	6h	8h	10h	20h
1.85V/cell	168.7	147.2	116.3	104.4	76.8	65.5	40.1	29.6	23.3	20.3	17.9	13.9	11.5	6.11
1.80V/cell	188.7	164.6	130.1	112.8	80.9	67.5	41.2	31.9	24.8	21.3	19.2	14.5	12.0	6.32
1.75V/cell	201.4	175.7	138.8	114.2	83.3	70.5	43.2	32.5	25.1	21.6	19.3	14.6	12.1	6.38
1.70V/cell	211.7	184.7	145.9	115.5	84.4	71.5	43.9	33.0	25.5	21.8	19.4	14.8	12.3	6.44
1.67V/cell	215.1	187.7	148.3	116.4	85.1	72.1	44.4	33.2	25.8	22.2	19.5	15.0	12.4	6.51
1.60V/cell	218.1	190.3	150.4	116.9	85.6	72.7	44.7	33.3	26.0	22.4	19.6	15.1	12.5	6.58

# LPL SERIES-LONG LIFE STANDBY

## LPL12-60 (12V60Ah)



### APPLICATIONS

- UPS and EPS
- Emergency light
- Railway signal and aircraft signal system
- Marine and power stations
- Alarm and security system
- Electronic apparatus and equipment
- Communication power supply, DC power supply

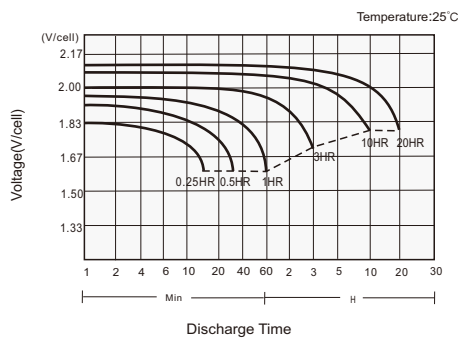
### GENERAL FEATURES

- 12 years design life (25°C)
- Lead calcium alloy, sealed design, no watering required
- Puncture resistant micro-porous glass mat separators extend life
- Unique technology optimizes power capacity, cell consistency, and long-term reliability
- Designed for a wide range of applications

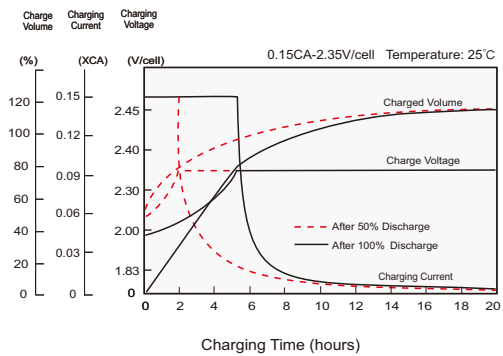
### STANDARDS

- Compliance with IEC 60896 standards, EU Battery Directive
- UL, CE Approved
- Manufactured in Leoch@IATF 16949, ISO 45001, ISO 9001 and ISO 14001 certified production facilities

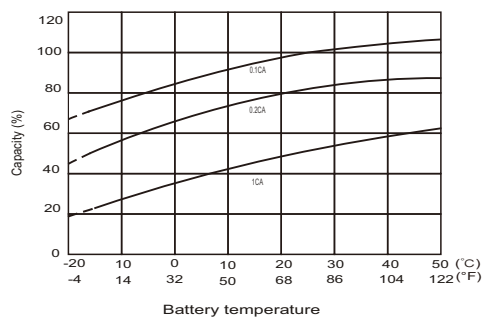
#### Discharge Characteristics



#### Charging Characteristics



#### Effects of Temperature on Capacity



#### Self Discharge Characteristics

