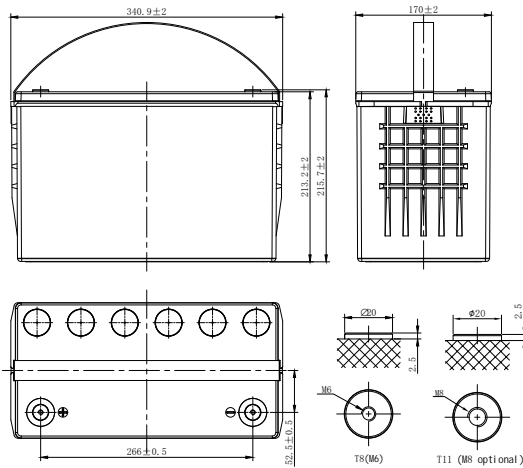


PLX-PURE LEAD HIGH RATE

PLX12-460 (12V460W)



CHARACTERISTICS

Item	Specifications	
Rated Voltage	12V	
Nominal Rate (25°C)	$W_{15}, 1.67V/cell$	460W/cell
Nominal Capacity (25°C)	$C_{10}, 1.80V/cell$	105Ah
Dimension	Length	340.9mm(13.4inches)
	Width	170mm(6.69inches)
	Container Height	213.2mm(8.39inches)
	Total Height	215.7mm(8.49inches)
Approx Weight	33.8kg(74.5lbs)	
Terminal	M6(M8 optional)	
Container Material	PC-ABS (UL94 V-0)	
Short-circuit current	2310A	
Internal Resistance (25°C)	Approx 3.7 mΩ (Fully charged)	
Operating Temp. Range	Discharge	-40~65°C (-40~149°F)
	Charge	-20~54°C (-4~129°F)
	Storage	-20~50°C (-4~122°F)
Nominal Operating Temp. Range	25±3°C (77±5°F)	
Max.Charging Current (25°C)	0.3C	
Charge voltage (25°C)	Float Charge	Equalization Charge
	2.27±0.02V/cell	2.35-2.40V/cell
Temp. Coefficient	-3mV/cell/°C	-4mV/cell/°C
	40°C (104°F)	103%
Effect of temp. to Capacity	25°C (77°F)	100%
	0°C (32°F)	86%
	Self Discharge	PLX series batteries can be stored up to 24 months at 25°C(77°F), For higher temperatures the time interval will be shorter.Battery needs to be given a freshening charge when the OCV approach 2.10V/cell or when the maximum storage time is reached, whichever occurs first.

DISCHARGE TABLE

Constant Current Discharge (Amperes) at 25°C (77°F)															
F.V/Time	5min	10min	15min	20min	30min	45min	1h	1.5h	2h	3h	4h	5h	8h	10h	20h
1.85V/cell	318.7	246.3	204.5	174.5	132.2	96.1	73.2	52.1	41.6	29.5	22.3	19.0	12.2	10.3	5.07
1.80V/cell	342.0	258.1	212.3	180.3	138.1	100.0	76.0	54.0	43.0	30.4	23.1	19.4	12.5	10.5	5.29
1.75V/cell	378.7	285.7	220.8	189.2	149.5	105.1	80.0	56.1	44.2	31.0	23.5	19.9	12.9	10.7	5.39
1.70V/cell	403.6	316.0	232.2	198.5	153.2	108.2	82.1	57.1	44.9	31.6	24.0	20.1	13.1	10.8	5.44
1.67V/cell	448.9	337.7	240.8	207.5	156.5	110.4	84.0	58.4	45.5	32.1	24.4	20.3	13.3	10.9	5.49
1.60V/cell	475.5	355.5	248.2	216.6	160.6	113.1	86.1	59.3	45.9	32.3	24.6	20.5	13.4	11.0	5.55
Constant Power Discharge (Watts/cell) at 25°C (77°F)															
F.V/Time	5min	10min	15min	20min	30min	45min	1h	1.5h	2h	3h	4h	5h	8h	10h	20h
1.85V/cell	588.8	479.6	391.6	335.1	262.9	197.0	149.8	104.3	82.0	58.6	44.6	36.3	23.6	19.5	10.3
1.80V/cell	655.4	499.5	404.6	346.1	269.9	199.3	150.9	106.5	84.5	59.8	45.5	37.6	24.3	19.7	10.5
1.75V/cell	687.8	546.2	437.2	368.3	281.5	205.7	155.8	110.4	87.6	61.4	46.7	38.7	24.8	20.0	10.6
1.70V/cell	754.8	578.8	452.1	377.6	285.8	209.2	157.6	111.3	88.5	62.0	47.2	39.1	25.2	20.4	10.7
1.67V/cell	799.1	605.5	460.0	385.2	290.6	213.0	160.0	112.7	89.3	62.7	47.7	39.6	25.6	20.7	10.8
1.60V/cell	864.5	624.6	474.1	393.0	295.7	215.7	162.1	114.1	90.2	63.3	48.3	40.1	25.7	21.0	10.9

PLX-PURE LEAD HIGH RATE

PLX12-460 (12V460W)



APPLICATIONS

- UPS
- Emergency lighting
- Emergency Power supply
- Electric starting
- Power tools

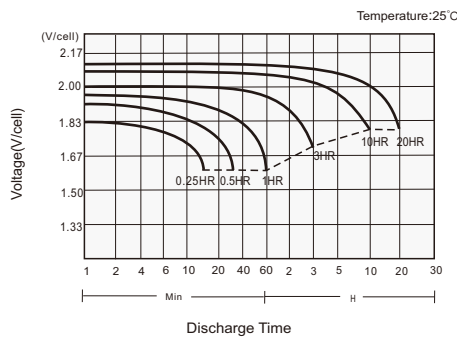
GENERAL FEATURES

- 15 years design life (25°C)
- Utilizes pure lead technology, thin positive grids and unique manufacturing process to maximize corrosion resistance and service life while increasing energy density
- Specifically designed for high-rate discharge applications
- Wide Wpc range of front and top terminal monoblocs
- UL 94 V-0 Case and cover heat sealed and 100% tested to prevent leaks

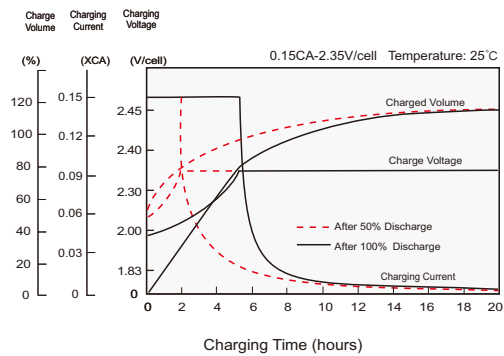
STANDARDS

- Compliance with IEC 60896 standards
- Classified as "Very Long Life" according to Eurobat
- CE,UL Approved
- Manufactured in Leoch@IATF 16949, ISO 45001,ISO 9001 and ISO 14001 certified production facilities

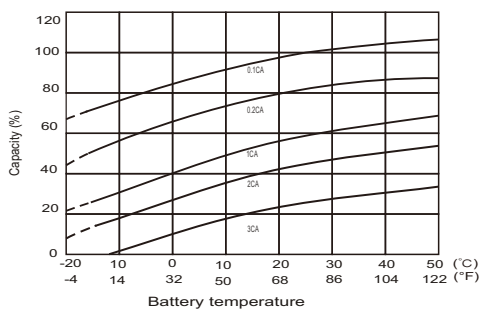
Discharge Characteristics



Charging Characteristics



Effects of Temperature on Capacity



Self Discharge Characteristics

