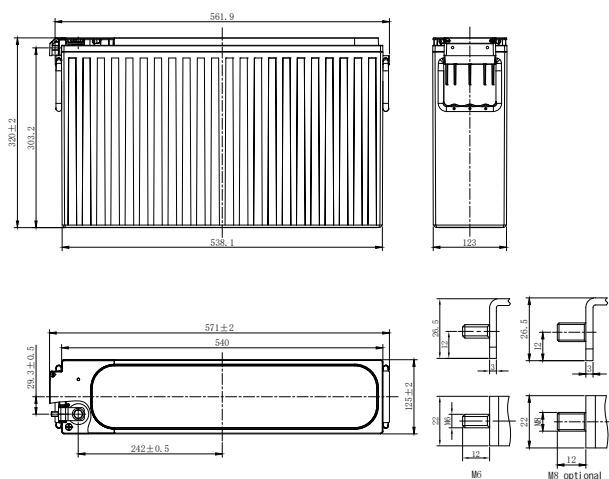


PLX-PURE LEAD HIGH RATE

PLX12-730FT (12V730W)



CHARACTERISTICS

Item	Specifications	
Rated Voltage	12V	
Nominal Rate (25°C)	$W_{15}, 1.67V/cell$	730W/cell
Nominal Capacity (25°C)	$C_{10}, 1.80V/cell$	200Ah
Dimension	Length	571mm (22.5inches)
	Width	125mm (4.92inches)
	Container Height	320mm (12.6inches)
	Total Height	320mm (12.6inches)
Approx Weight	61.0kg (134.5lbs)	
Terminal	M6 (M8 optional)	
Container Material	PC-ABS (UL94 V-0)	
Short-circuit current	4400A	
Internal Resistance (25°C)	Approx 3 mΩ (Fully charged)	
Operating Temp. Range	Discharge	-40~65°C (-40~149°F)
	Charge	-20~54°C (-4~129°F)
	Storage	-20~50°C (-4~122°F)
Nominal Operating Temp. Range	25±3°C (77±5°F)	
Max.Charging Current (25°C)	0.3C	
Charge voltage (25°C)	Float Charge	Equalization Charge
	2.27±0.02V/cell	2.35-2.40V/cell
Temp. Coefficient	-3mV/cell/°C	-4mV/cell/°C
	40°C (104°F)	103%
Effect of temp. to Capacity	25°C (77°F)	100%
	0°C (32°F)	86%
	Self Discharge	PLX series batteries can be stored up to 24 months at 25°C(77°F), For higher temperatures the timeinterval will be shorter.Battery needs to be given a freshening charge when the OCV approach 2.10V/cell or when the maximum storage time is reached, whichever occurs first.

DISCHARGE TABLE

Constant Current Discharge (Amperes) at 25°C (77°F)															
F.V/Time	5min	10min	15min	20min	30min	45min	1h	1.5h	2h	3h	4h	5h	8h	10h	20h
1.85V/cell	431.2	356.4	312.0	268.2	202.8	149.6	118.4	85.0	68.3	49.3	38.7	32.3	22.5	19.4	10.1
1.80V/cell	495.3	398.4	348.0	296.4	218.8	159.2	125.1	88.8	70.7	51.2	40.0	33.4	23.3	20.0	10.4
1.75V/cell	539.6	429.6	370.4	316.2	232.4	167.2	131.1	91.9	72.3	52.2	41.1	34.2	23.7	20.3	10.6
1.70V/cell	591.4	460.2	389.6	330.0	243.6	174.4	135.4	94.6	74.2	53.4	41.9	34.8	24.1	20.5	10.7
1.67V/cell	707.5	487.2	402.2	343.2	252.2	180.0	137.0	96.1	75.6	54.0	42.2	35.3	24.5	20.6	10.8
1.60V/cell	724.3	513.6	419.5	352.2	259.8	185.1	140.2	97.9	76.8	54.3	42.6	35.6	24.6	20.8	10.9

Constant Power Discharge (Watts/cell) at 25°C (77°F)															
F.V/Time	5min	10min	15min	20min	30min	45min	1h	1.5h	2h	3h	4h	5h	8h	10h	20h
1.85V/cell	803.0	679.3	602.4	522.0	397.5	295.9	234.9	169.2	136.4	98.6	77.8	65.1	45.8	39.4	20.5
1.80V/cell	914.4	750.9	668.5	573.2	426.1	312.6	246.4	175.7	140.4	101.9	80.0	66.9	46.8	40.5	21.2
1.75V/cell	987.4	804.2	707.1	605.8	448.7	326.0	256.5	180.8	142.9	103.6	81.6	68.2	47.7	41.1	21.5
1.70V/cell	1054.0	848.2	724.8	626.3	466.6	337.9	263.7	185.3	146.1	105.5	83.1	69.3	48.5	41.4	21.7
1.67V/cell	1080.1	868.6	730.0	644.6	484.2	346.8	265.2	187.1	148.1	106.3	83.5	70.0	49.1	41.5	21.8
1.60V/cell	1145.8	886.9	736.5	654.3	500.0	353.1	269.4	189.5	149.5	106.8	83.9	70.3	49.2	41.8	21.9

PLX-PURE LEAD HIGH RATE

PLX12-730FT (12V730W)

APPLICATIONS

- UPS
- Emergency lighting
- Emergency Power supply
- Electric starting
- Power tools

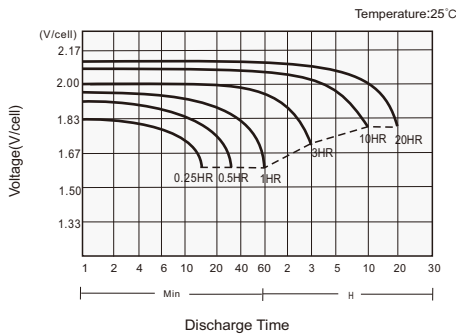
GENERAL FEATURES

- 15 years design life (25°C)
- Utilizes pure lead technology, thin positive grids and unique manufacturing process to maximize corrosion resistance and service life while increasing energy density
- Specifically designed for high-rate discharge applications
- Wide Wpc range of front and top terminal monoblocs
- UL 94 V-0 Case and cover heat sealed and 100% tested to prevent leaks

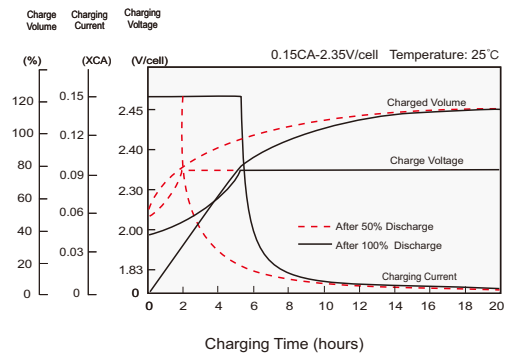
STANDARDS

- Compliance with IEC 60896 standards
- Classified as "Very Long Life" according to Eurobat
- CE,UL Approved
- Manufactured in Leoch®IATF 16949, ISO 45001,ISO 9001 and ISO 14001 certified production facilities

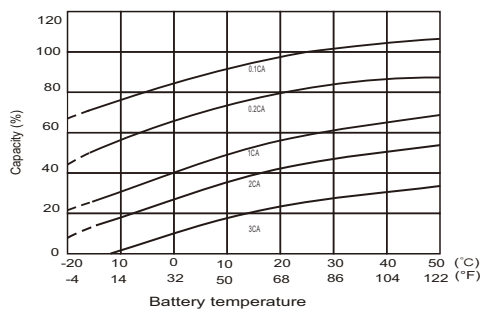
Discharge Characteristics



Charging Characteristics



Effects of Temperature on Capacity



Self Discharge Characteristics

